

BB4-A0 Cosino Mega2560 Extension

Table of Content

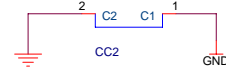
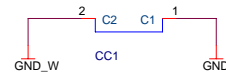
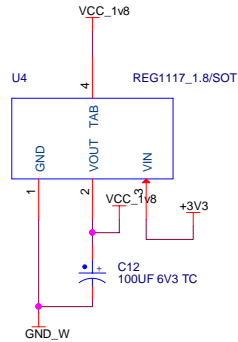
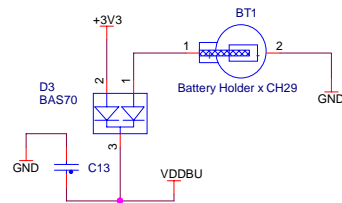
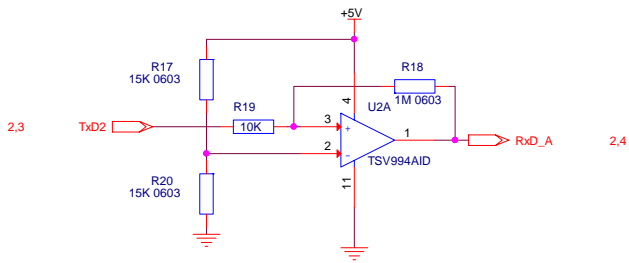
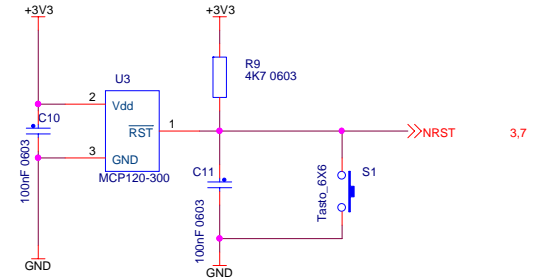
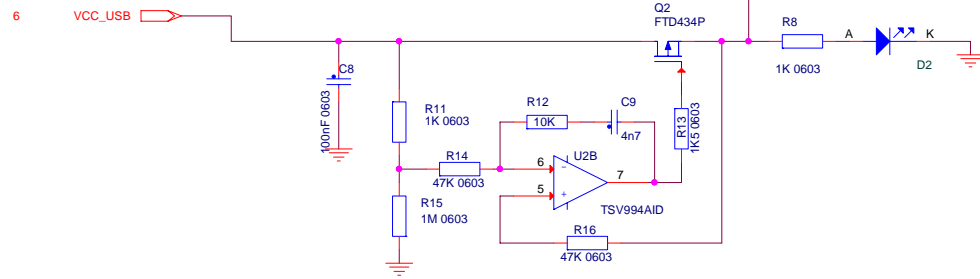
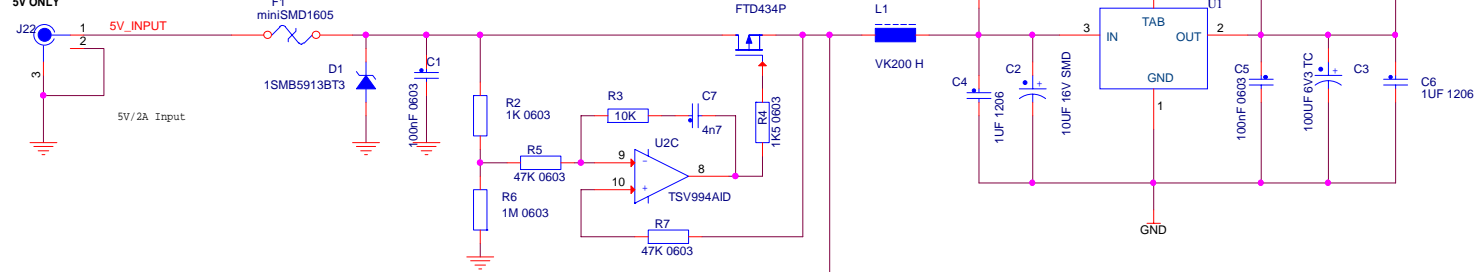
Page 1	Index
Page 2	Power Supply
Page 3	CPU Module Connector
Page 4	Mega2560 Compatible
Page 5	COM USB, Ethernet
Page 6	Serial COMi, SD/MMC Card
Page 7	Linux I/O + TFT LCD Conn.

Revision History

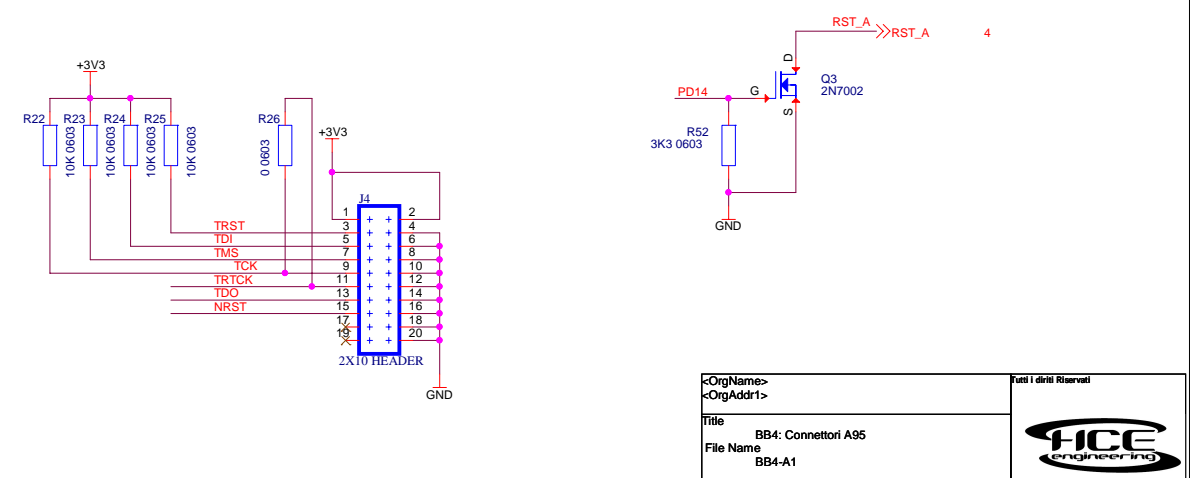
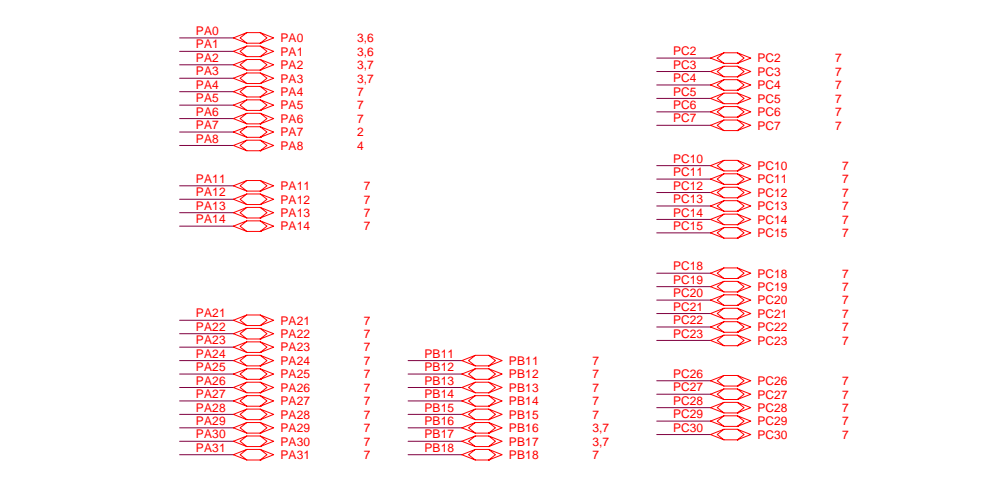
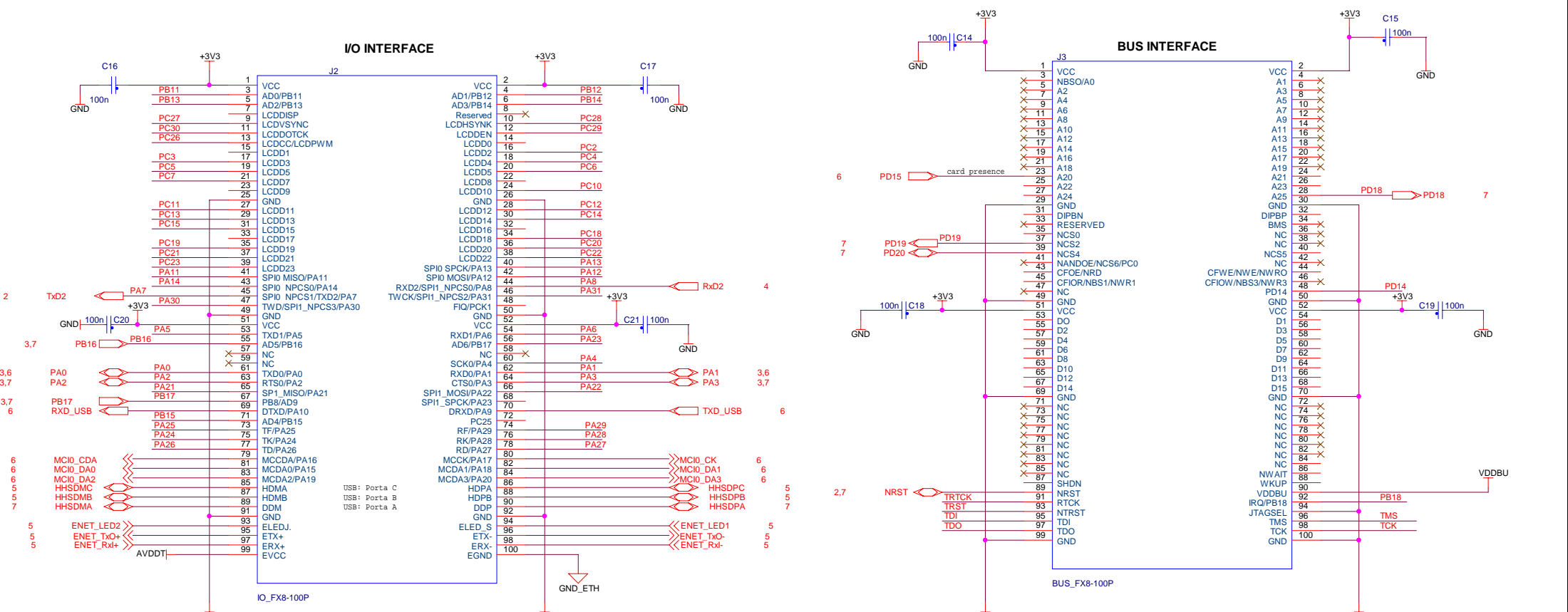
Rev. Code	Date	By	Change Note
P0	31/05/2013	AG	Prototype
A0	30/09/2013	AG	First Revision
A1	04/02/2014	AG	Changed mosfet and op-amp devices, pag.2

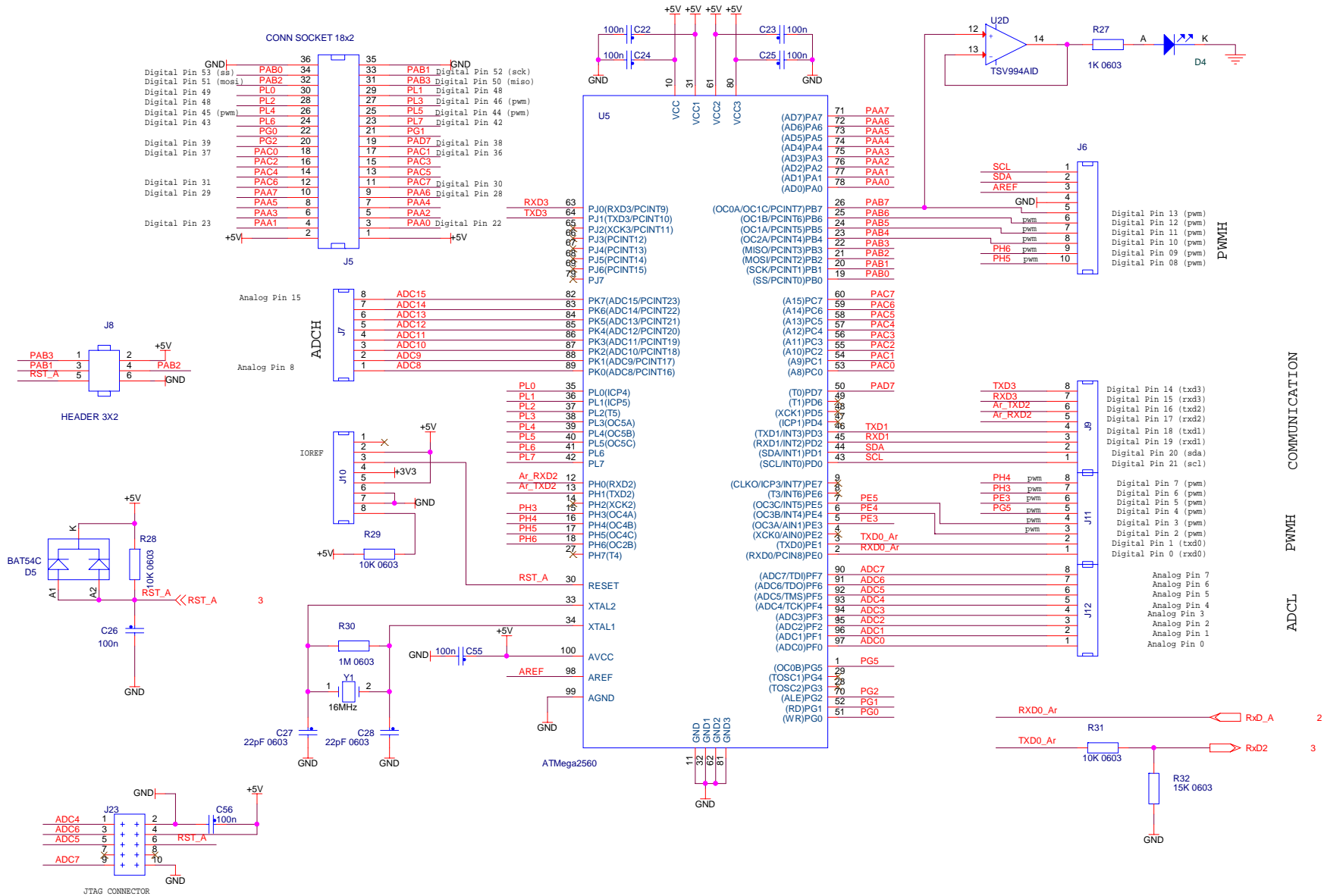


REGULATED
5V ONLY

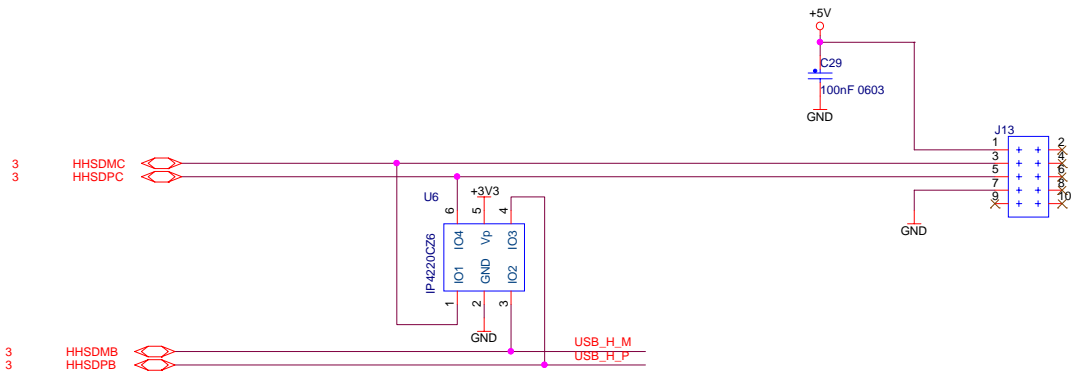


HCE Engineering Srl Via Lamamora 2L		Tutti i diritti riservati	
Title BB4			
File Name BB4-A1			
Size A3	Schematic Mega2560-A0	Rev A1	Drawing by: AG
Date: Friday, May 16, 2014		Sheet 2	of 7



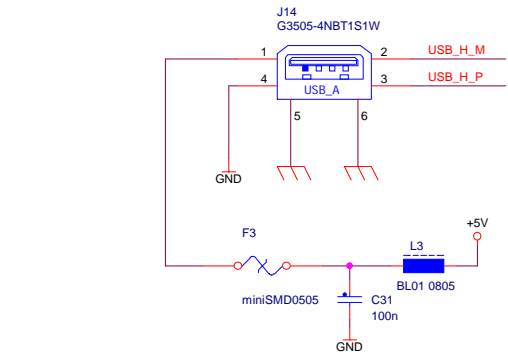


The schematics in this page is compatible with and derived from Arduino Mega2560 R3 design

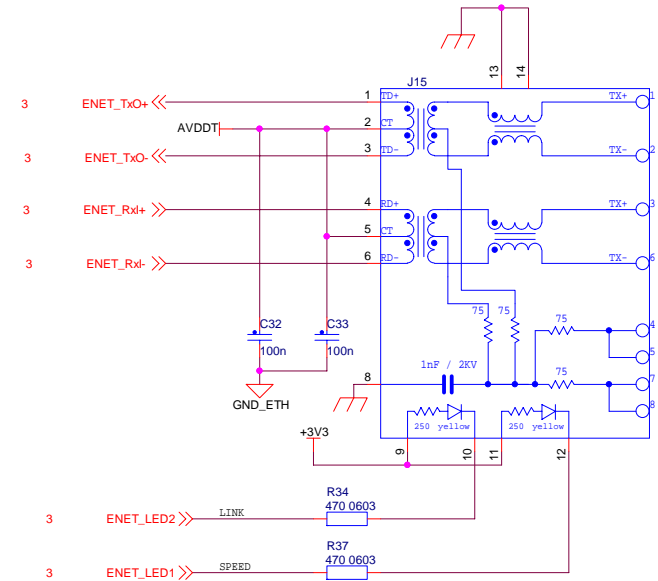


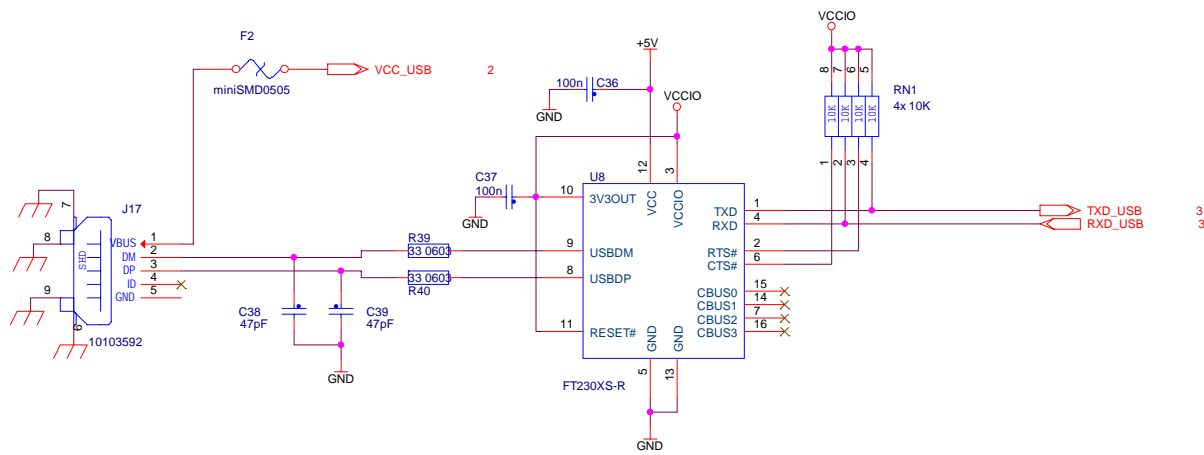
**USB Internal HOST INTERFACE
(Port C Full Speed)**

+ foro per usSD 5000

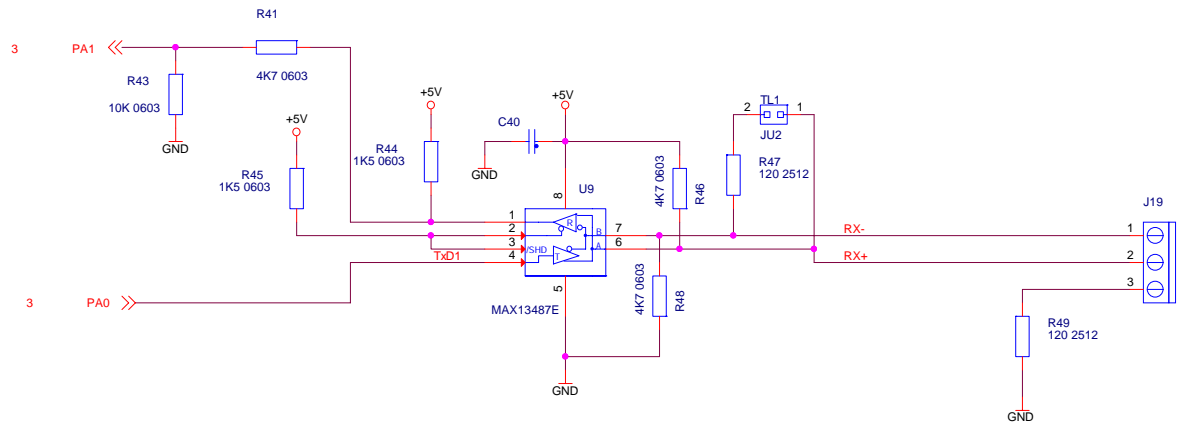
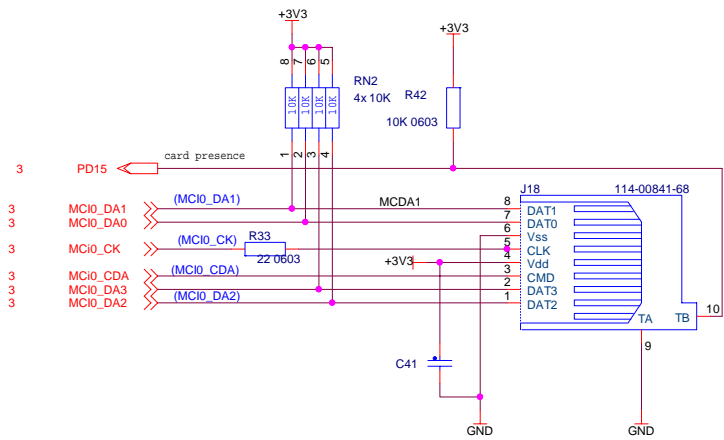


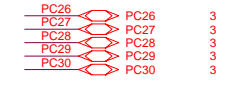
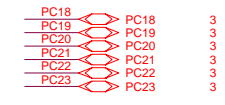
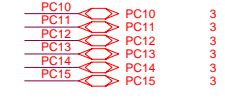
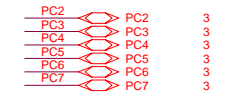
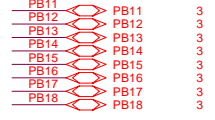
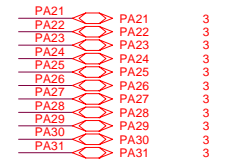
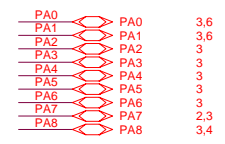
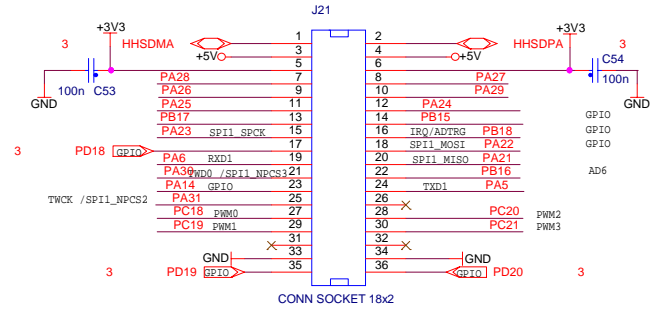
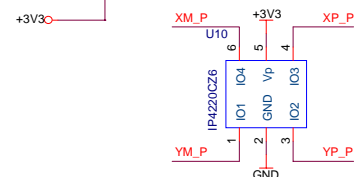
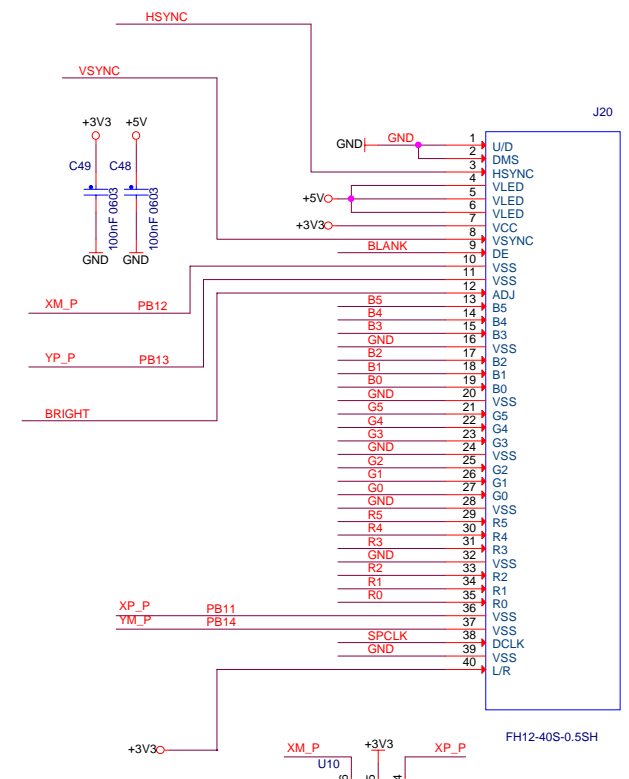
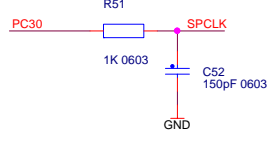
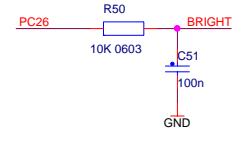
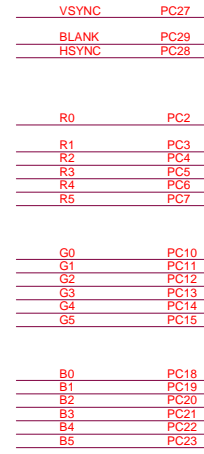
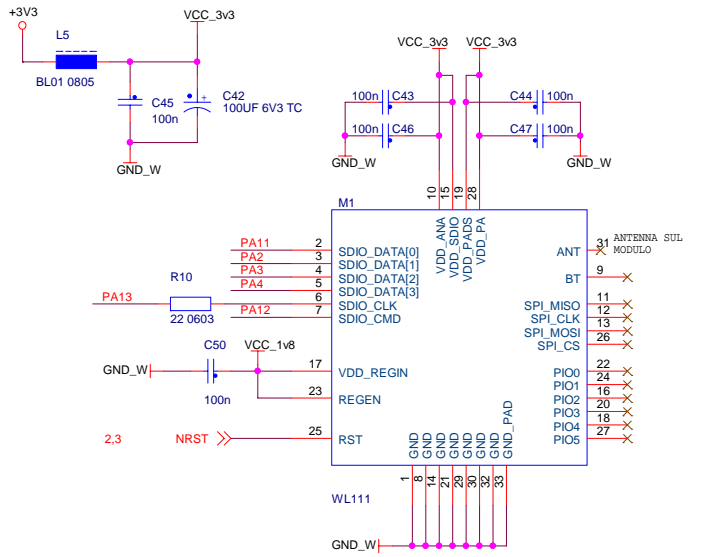
**USB HOST INTERFACE
(Port B High Speed)**





microSD CARD INTERFACE





USB Internal HOST/DEVICE INTERFACE (Port A High Speed)

HCE Engineering Srl Via Lamarmora 2L		Tutti i diritti riservati	
Title BB4			
File Name BB4-A1			
Size A3	Schematic Mega2560-A0	Rev A1	Drawing by: AG
Date: Friday, May 16, 2014		Sheet 7	of 7